



## HOTTY-S

Versatile and light neck warmer in comfortable recycled polyester polar fleece with excellent moisture management properties. Ideal for high-output activities in cold weather. Cord adjuster on the top edge for full closure.

### Technical accessories

<b>Composition</b>	Main Fabric: 100% certified recycled polyester - 230 gsm
<b>Size</b>	28x25cm
<b>Packing</b>	-
<b>Custom code</b>	6117.80.80
<b>Made in</b>	China

### Where to customize

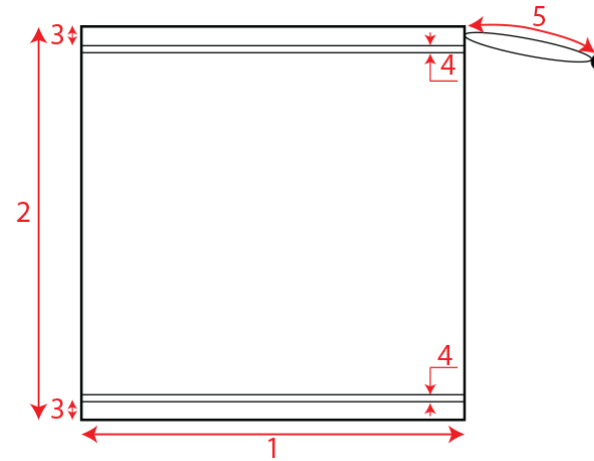
Centimeters

	Front	Back	Closure	Right	Left
Print	-	-	-	-	-
Embroidery	15 x 10	15 x 10	-	15 x 10	15 x 10
Heat transfer	-	-	-	-	-



**Technical Size (cm)**

- 1** 25,0
- 2** 28,0
- 3** 2,0
- 4** 0,5
- 5** 8,0



**Color variants ( TPX / Pantone )**

**BLACK**



**BODY:** 19-4006 / BLACK-6-C

**NAVY**



**BODY:** 19-4111 / 289-C

**DARK-GREY**



**BODY:** 18-0201 / 425-C

**ROYAL**



**BODY:** 19-4056 / 7686-C



**BODY:** 19-1557 / 202-C